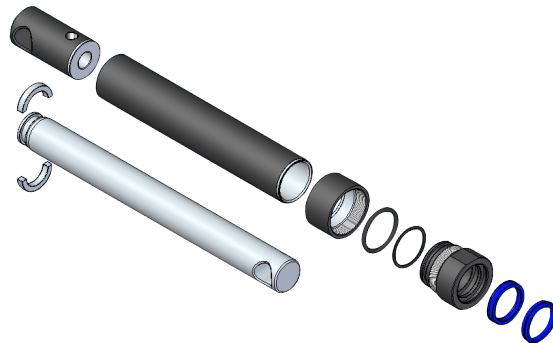
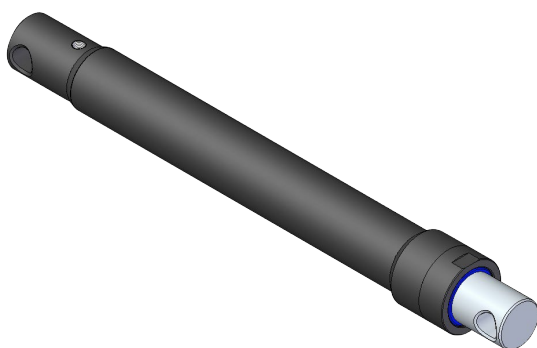


PART NUMBER	REPLACEMENT	BORE & STROKE	OUTSIDE DIAMETER	ROD DIAMETER	A	B	C	D	E	F	G	H	PORT	WEIGHT (LBS)
ASP-1510-0750	ARCTIC	1.75" X 10.00"	2.00"	1.50"	17.00"	0.76"	1.75"	0.75"	1.68"	0.75"	2.75"	2.37"	1/4-NPT (2X)	12
ASP-1512-0750	ARCTIC	1.75" X 12.00"	2.00"	1.50"	19.00"	0.76"	1.75"	0.75"	1.68"	0.75"	2.75"	2.37"	1/4-NPT (2X)	13
FSP-1510-1000	FISHER	1.75" X 10.00"	2.00"	1.50"	17.00"	1.01"	1.75"	0.75"	1.68"	0.75"	2.75"	2.37"	1/4-NPT (2X)	11
FSP-1512-1000	FISHER	1.75" X 12.00"	2.00"	1.50"	19.25"	1.01"	1.75"	0.75"	1.93"	0.75"	2.75"	2.37"	1/4-NPT (2X)	13
FSP-2016-1250	FISHER	2.25" X 16.00"	2.50"	2.00"	23.25"	1.26"	2.25"	0.87"	1.75"	0.87"	2.75"	3.00"	1/4-NPT (2X)	27
MSP-1506-0625	MEYER	1.75" X 6.00"	2.00"	1.50"	12.37"	0.63"	1.62"	0.75"	1.56"	0.75"	2.12"	2.37"	1/4-NPT	9
MSP-1510-0625	MEYER	1.75" X 10.00"	2.00"	1.50"	16.18"	0.63"	1.62"	0.75"	1.62"	0.75"	2.12"	2.37"	1/4-NPT	14
MSP-1512-0625	MEYER	1.75" X 12.00"	2.00"	1.50"	18.00"	0.63"	1.62"	0.75"	1.43"	0.75"	2.12"	2.37"	1/4-NPT	15
MSP-2012-0625	MEYER	2.25" X 12.00"	2.50"	2.00"	18.00"	0.63"	1.62"	0.75"	0.75"	0.75"	2.25"	3.00"	1/4-NPT	24
WSP-1506-0750	WESTERN	1.75" X 6.00"	2.00"	1.50"	13.00"	0.76"	1.75"	0.68"	1.37"	0.68"	2.75"	2.37"	1/4-NPT (2X)	11
WSP-1508-0750	WESTERN	1.75" X 8.00"	2.00"	1.50"	15.25"	0.76"	1.75"	0.68"	1.62"	0.68"	2.75"	2.37"	1/4-NPT (2X)	12
WSP-1510-0750	WESTERN	1.75" X 10.00"	2.00"	1.50"	17.25"	0.76"	1.75"	0.68"	1.62"	0.68"	2.75"	2.37"	1/4-NPT (2X)	14
WSP-1510-1000	WESTERN	1.75" X 10.00"	2.00"	1.50"	17.00"	1.01"	1.75"	0.75"	1.43"	0.75"	2.75"	2.37"	1/4-NPT (2X)	14
WSP-2006-0750	WESTERN	2.25" X 6.00"	2.50"	2.00"	13.18"	0.76"	2.25"	0.75"	1.56"	0.75"	2.75"	3.00"	1/4-NPT (2X)	18
WSP-2010-1000	WESTERN	2.25" X 10.00"	2.50"	2.00"	17.25"	1.01"	2.25"	0.75"	1.62"	0.75"	2.75"	3.00"	1/4-NPT (2X)	22
WSP-2016-1000	WESTERN	2.25" X 16.00"	2.50"	2.00"	23.31"	1.01"	2.25"	0.75"	1.68"	0.75"	2.56"	3.00"	1/4-NPT (2X)	31

SEAL TEMPERATURE RANGE : -30 °C / +100 °C (-22 °F / +212 °F)
 SEAL MAXIMUM SPEED : 3 FT / SEC

CYLINDER WITH 1 PORT = PORT IN LINE WITH PIN HOLE
 RETRACTED AND STROKE TOLERANCE ± 1/8"



HYDRAULIC CYLINDERS

